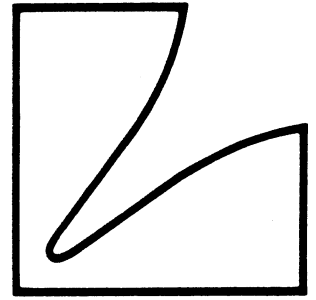
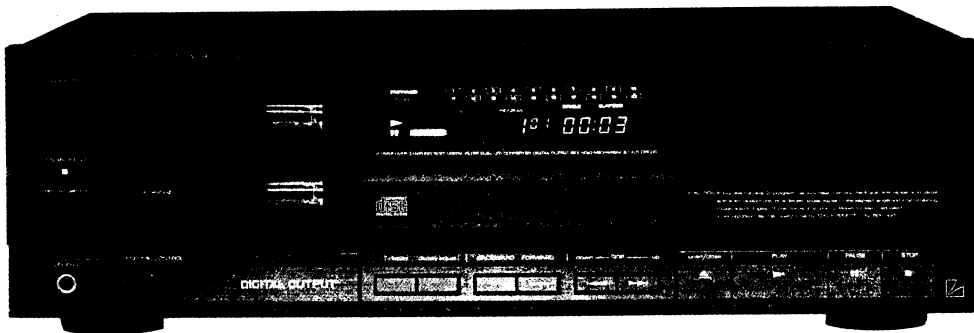


SERVICE MANUAL



Compact Disc Player

D-103u



Adjustment Procedures

1. Compact Disc Section

(1) Connections

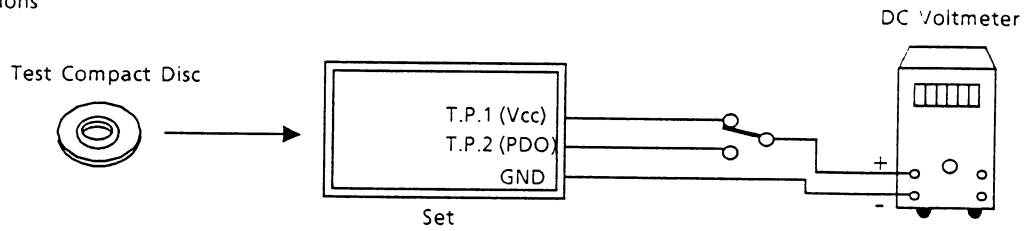


Figure 15

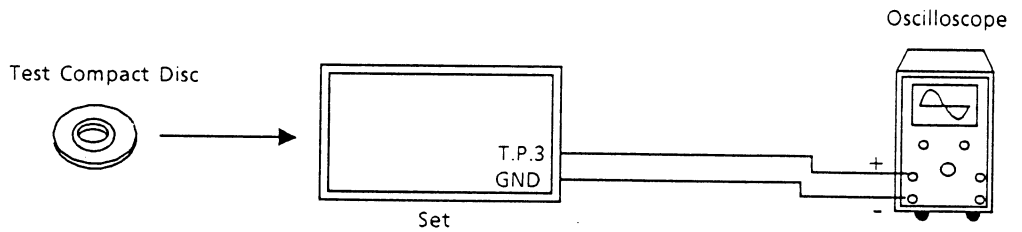


Figure 16

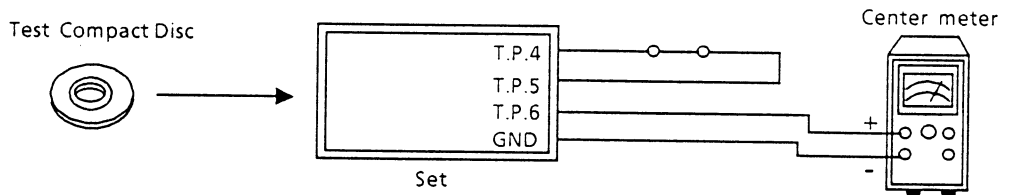


Figure 17

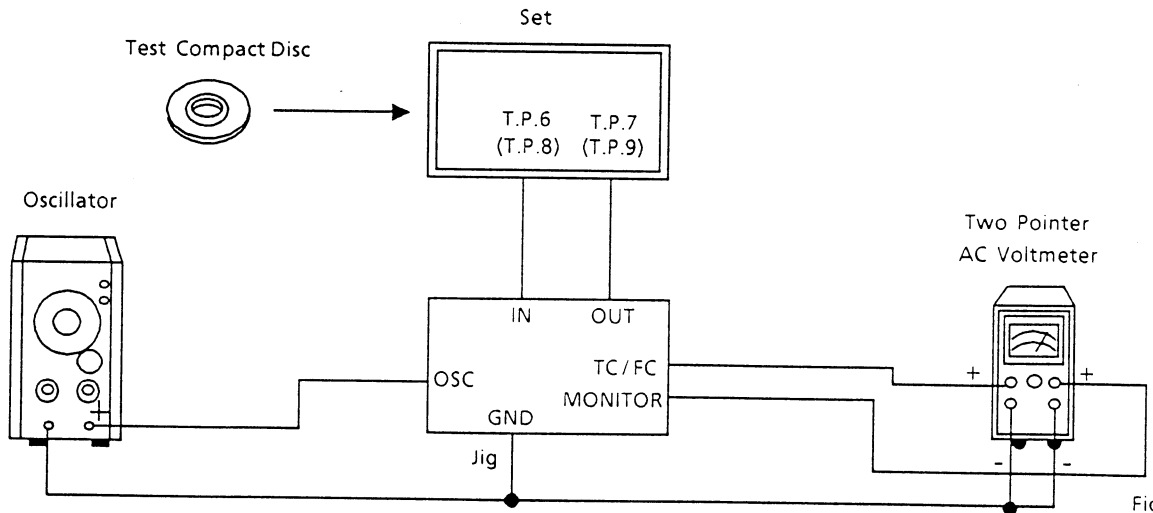


Figure 18

Note : Use the Jig which using for D-105u

(2) Control Settings

- | | |
|--------------------|-----|
| Power Switch | ON |
| Play Switch | ON |
| Others | OFF |

(3) Test CD

Tracking Error Balance Adjustment	SONY YEDS-18 (No7)
	A-BEX TCD-782 (No8)
Others	SONY YEDS-18 (No2)
	A-BEX TCD-782 (No2)

(4) Adjustment Procedures

Step	Description	Connections	Oscillator	Test Point	Adjustment
1	VCO Adjustment	Figure 14	-	T.P.1 T.P.2	Take measurement of the voltage at the T.P.1. Then adjust VR202 so that the output voltage at the T.P.2 becomes. $1/2 \pm 10\text{mV}$ of the voltage at the T.P.1.
2	Focus Bias Adjustment	Figure 15	-	T.P.3	Adjust VR201 so that the T.P.3 (Eye pattern) signal is at its maximum, with a favorable Eye pattern as shown in Figure 18.
3	Tracking Error Balance Adjustment	Figure 16	-	T.P.4 T.P.5 T.P.6	After short circuiting between T.P.4 and T.P.5, turn VR204 fully counterclockwise. When the center meter is connected to the unit, the meter pointer will deflect between "a" and "b" as shown in Figure 19. Adjust VR203 until minimum deflection of the center meter shows "0". In this case, minimum deflection shows "0" stands for that "a". After the adjustment set VR204 to its center position.
4	Tracking Gain Adjustment	Figure 17	1kHz 100mV	T.P.6 T.P.7	Adjust VR204 so that both arms of the voltmeter come at the same position.
5	Focus Gain Adjustment	Figure 17	1kHz 100mV	T.P.8 T.P.9	Adjust VR205 so that both arms of the voltmeter come at the same position.

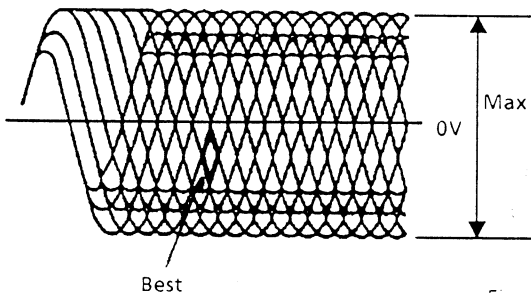


Figure 18

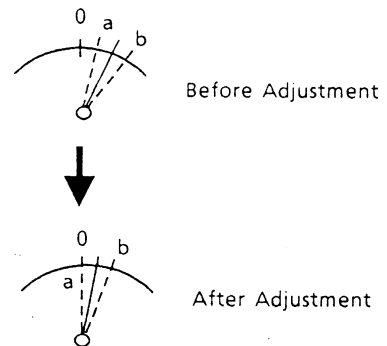
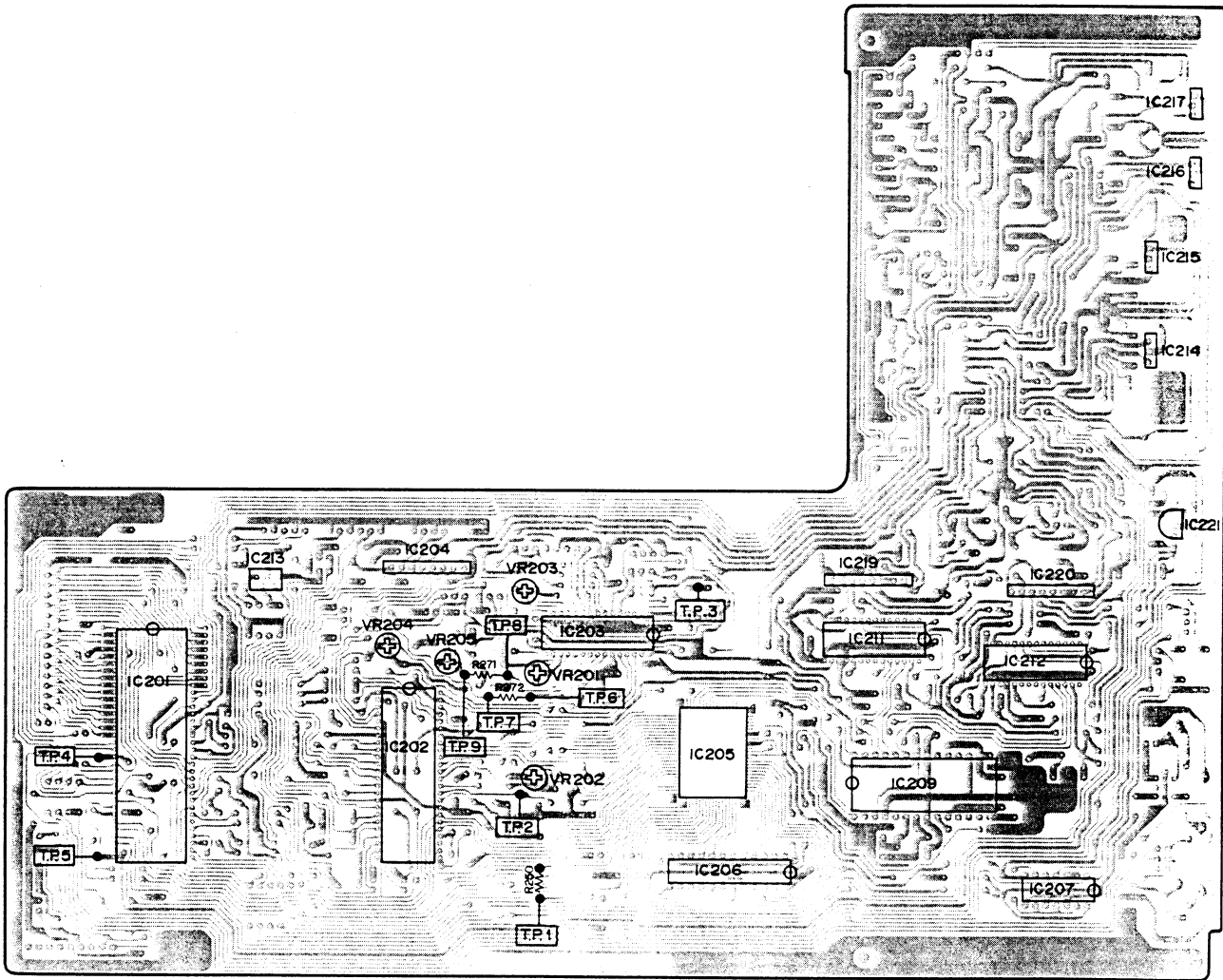


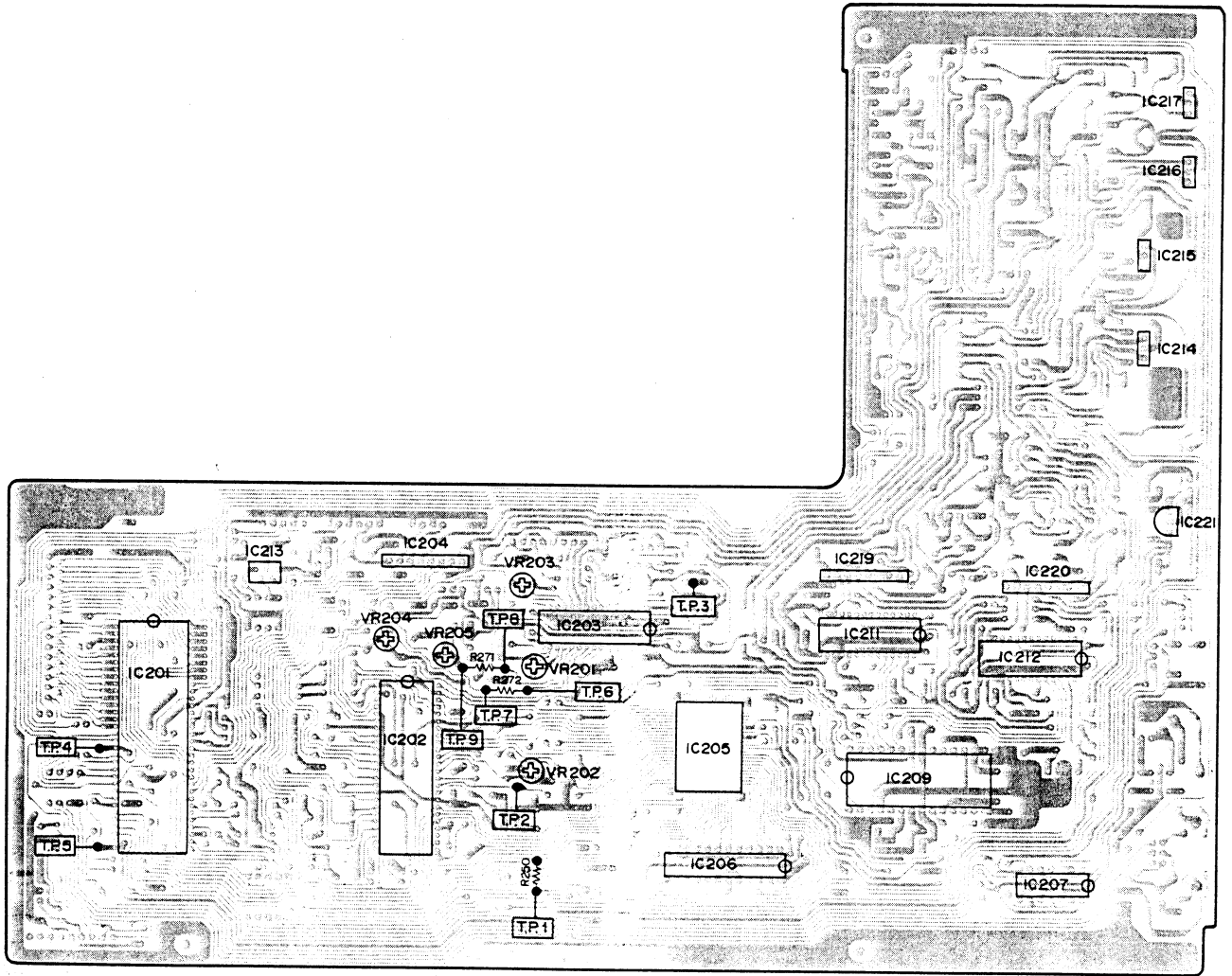
Figure 19

Adjustment Location

Main P.C. Board (Component Side) AD model

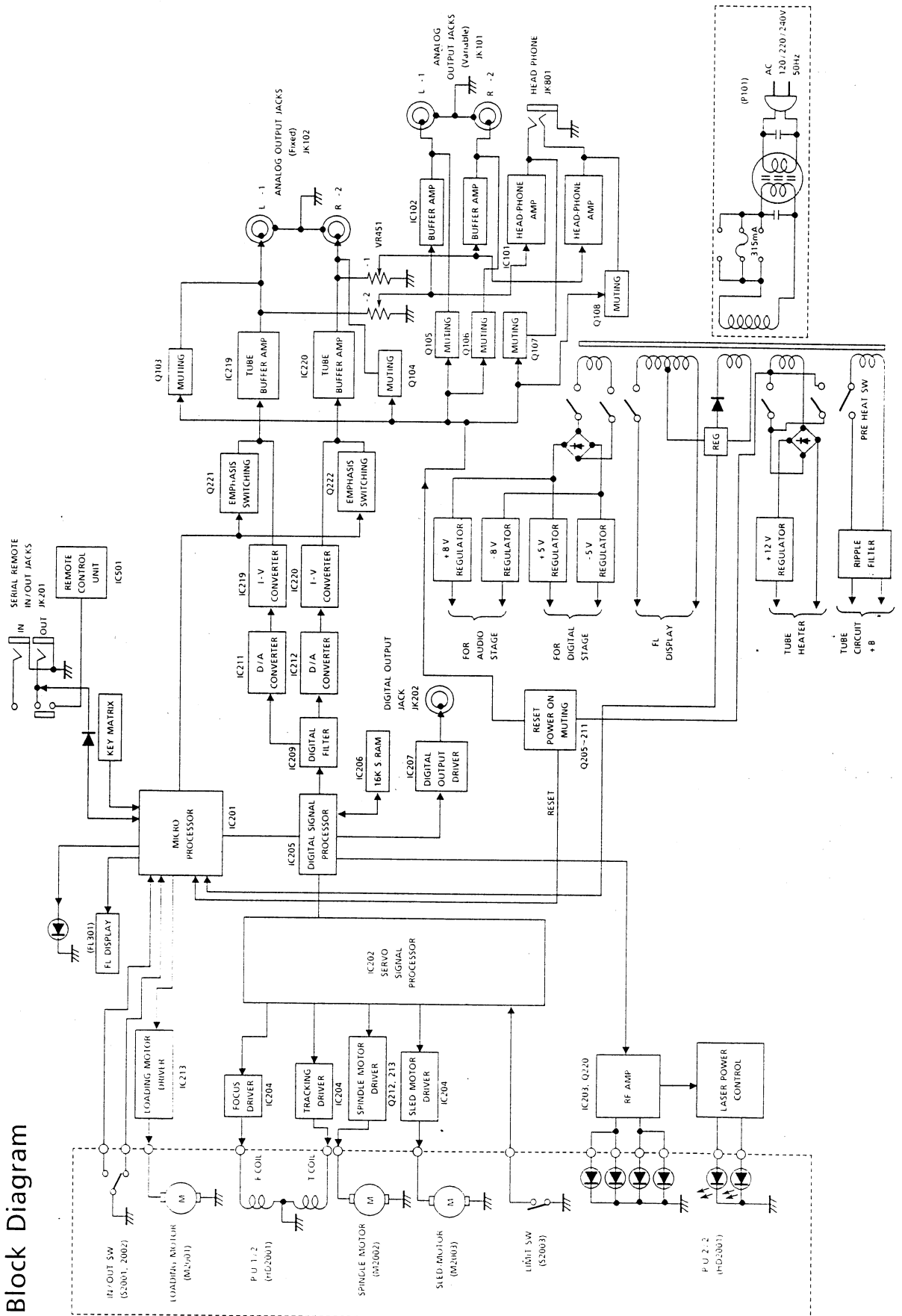


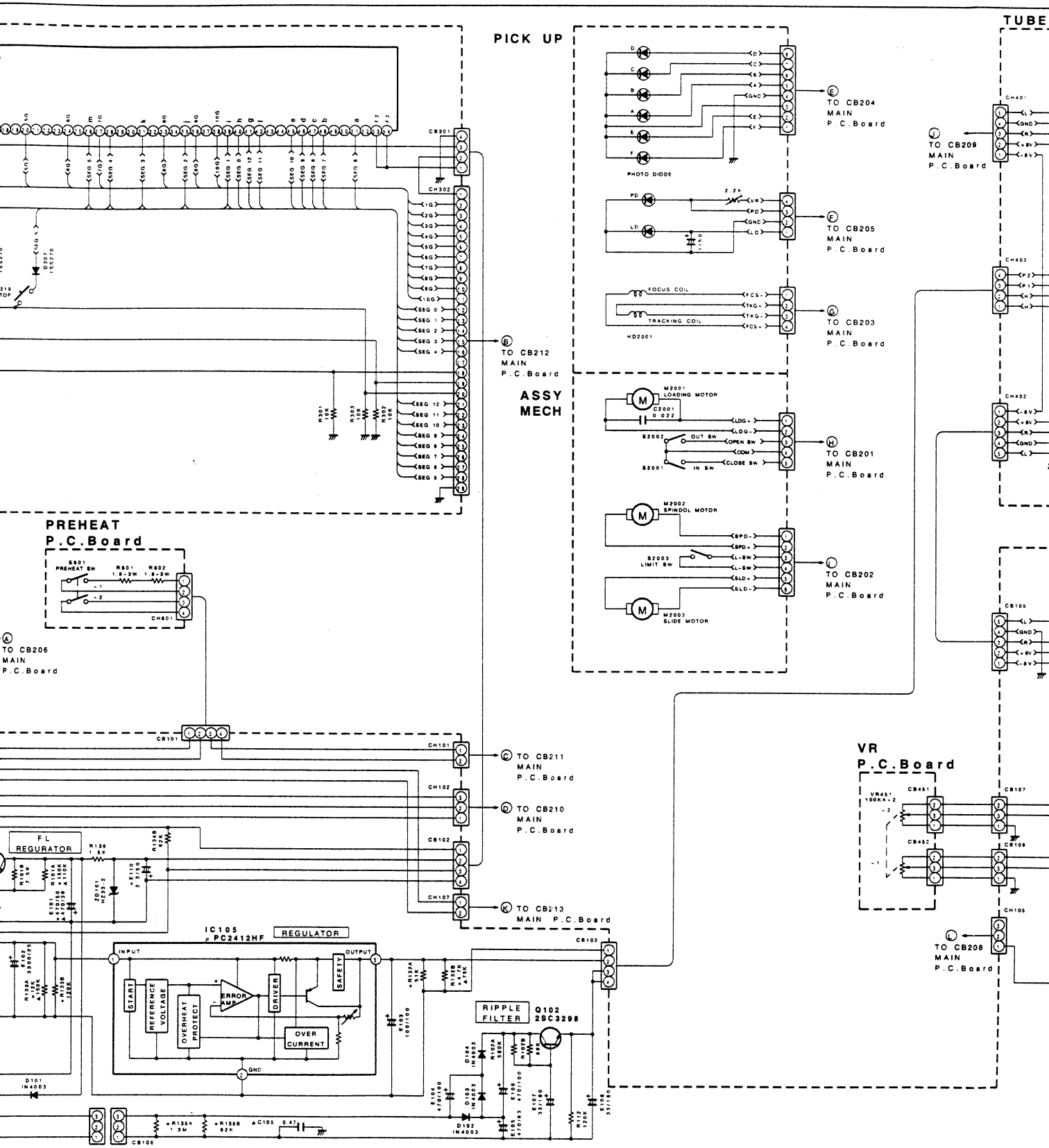
Main P.C. Board (Component Side) EK model



Block Diagram

Block Diagram





PICK UP

TUBE

PREHEAT P.C. Board

ASSY MECH

VR P.C. Board

A TO CB206 MAIN P.C. Board

B TO CB212 MAIN P.C. Board

C TO CB211 MAIN P.C. Board

D TO CB210 MAIN P.C. Board

E TO CB213 MAIN P.C. Board

E TO CB204 MAIN P.C. Board

F TO CB205 MAIN P.C. Board

G TO CB203 MAIN P.C. Board

H TO CB201 MAIN P.C. Board

I TO CB202 MAIN P.C. Board

J TO CB209 MAIN P.C. Board

K TO CB208 MAIN P.C. Board

FL REGULATOR

IC105 PC2412HF REGULATOR

RIPPLE FILTER Q102 28C3298

CH301

CH302
CH301
CH302
CH303
CH304
CH305
CH306
CH307
CH308
CH309
CH310
CH311
CH312
CH313
CH314
CH315
CH316
CH317
CH318
CH319
CH320
CH321
CH322
CH323
CH324
CH325
CH326
CH327
CH328
CH329
CH330
CH331
CH332
CH333
CH334
CH335
CH336
CH337
CH338
CH339
CH340
CH341
CH342
CH343
CH344
CH345
CH346
CH347
CH348
CH349
CH350
CH351
CH352
CH353
CH354
CH355
CH356
CH357
CH358
CH359
CH360
CH361
CH362
CH363
CH364
CH365
CH366
CH367
CH368
CH369
CH370
CH371
CH372
CH373
CH374
CH375
CH376
CH377
CH378
CH379
CH380
CH381
CH382
CH383
CH384
CH385
CH386
CH387
CH388
CH389
CH390
CH391
CH392
CH393
CH394
CH395
CH396
CH397
CH398
CH399
CH400

CH101
CH102
CH103
CH107
CH105
CH106

CH401
CH402
CH403
CH404
CH405
CH406
CH407
CH408
CH409
CH410
CH411
CH412
CH413
CH414
CH415
CH416
CH417
CH418
CH419
CH420
CH421
CH422
CH423
CH424
CH425
CH426
CH427
CH428
CH429
CH430
CH431
CH432
CH433
CH434
CH435
CH436
CH437
CH438
CH439
CH440
CH441
CH442
CH443
CH444
CH445
CH446
CH447
CH448
CH449
CH450
CH451
CH452
CH453
CH454
CH455
CH456
CH457
CH458
CH459
CH460
CH461
CH462
CH463
CH464
CH465
CH466
CH467
CH468
CH469
CH470
CH471
CH472
CH473
CH474
CH475
CH476
CH477
CH478
CH479
CH480
CH481
CH482
CH483
CH484
CH485
CH486
CH487
CH488
CH489
CH490
CH491
CH492
CH493
CH494
CH495
CH496
CH497
CH498
CH499
CH500

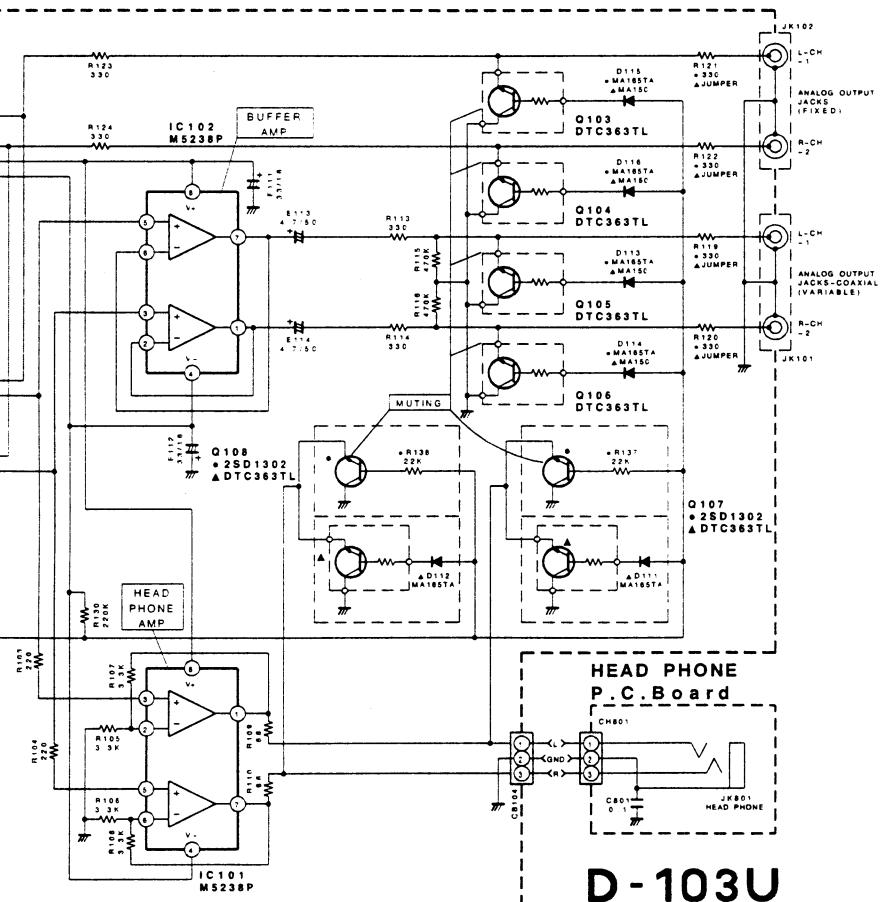
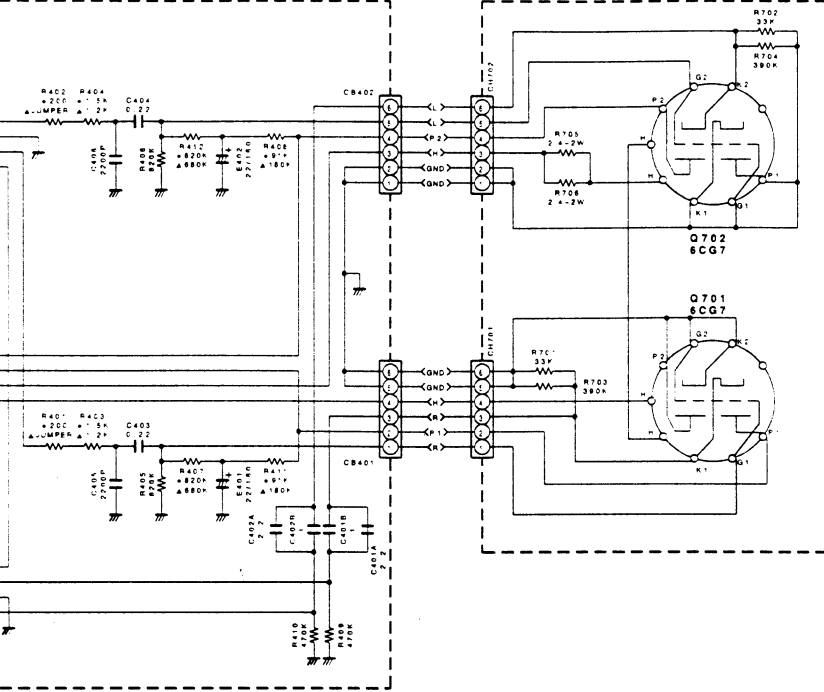
CH107
CH108
CH105
CH106

IC 102
IC 101

Q103 Q105 Q108 Q702
Q104 Q106 Q107 Q701

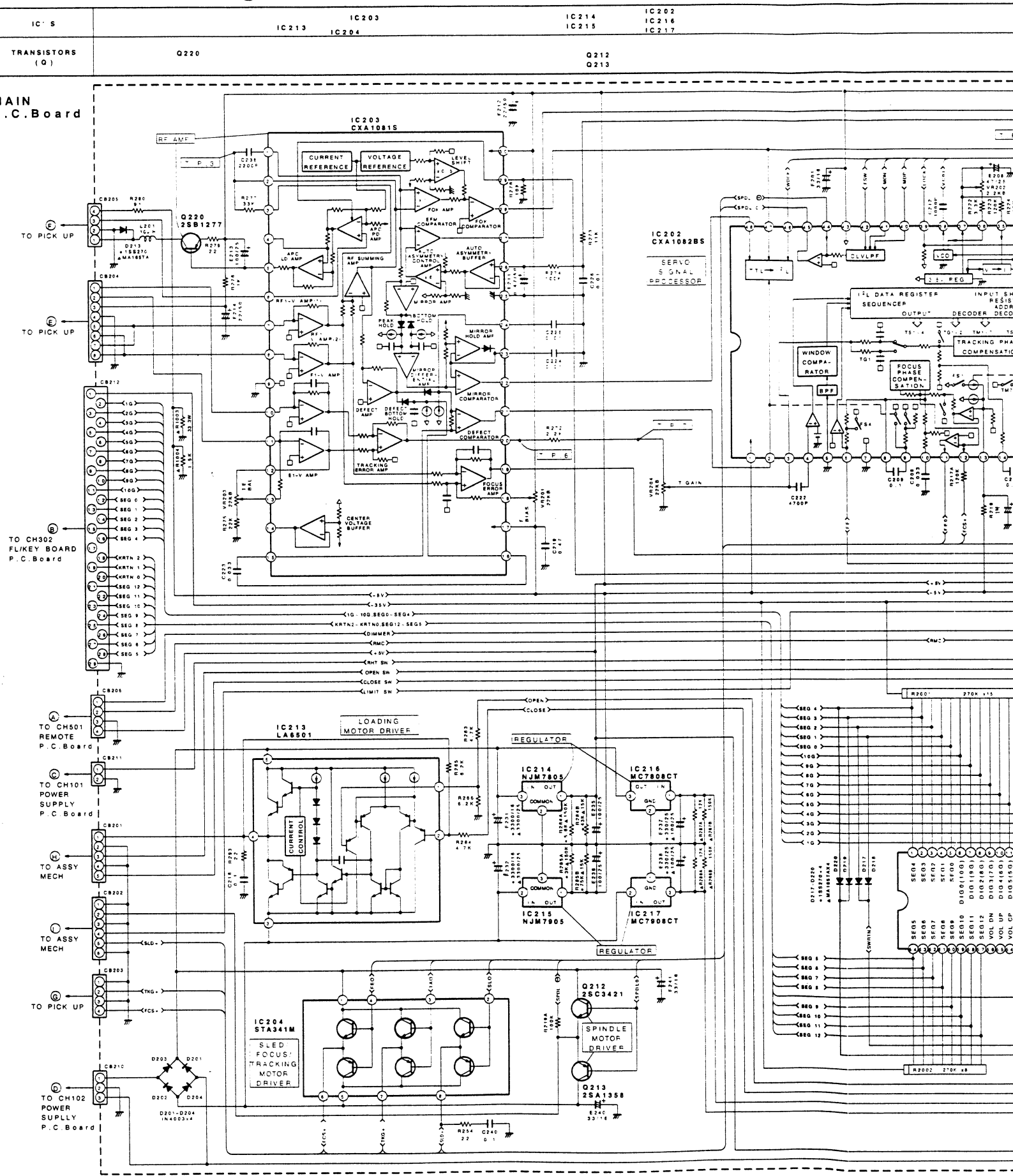
P.C. Board 2

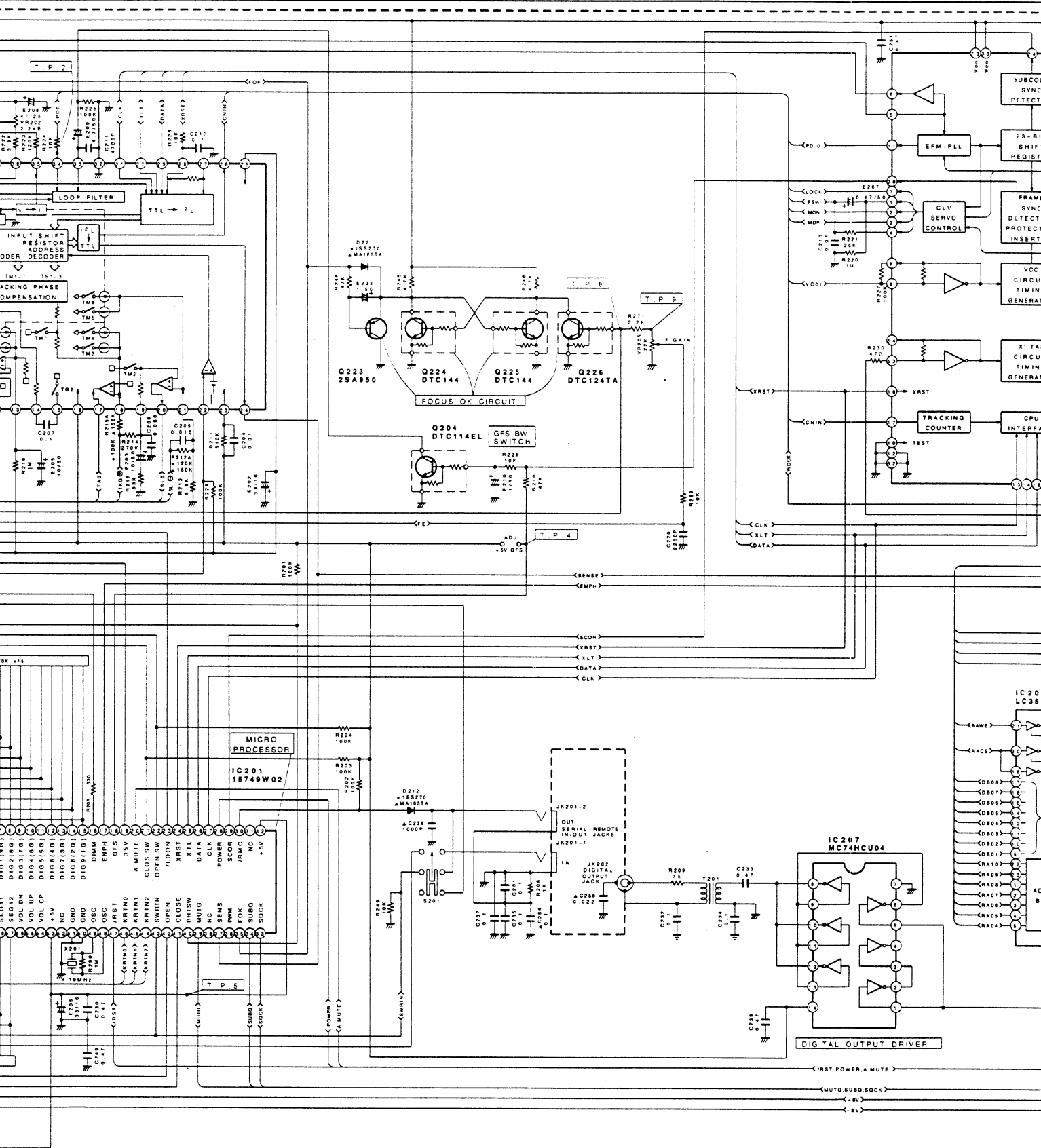
TUBE P.C. Board 1

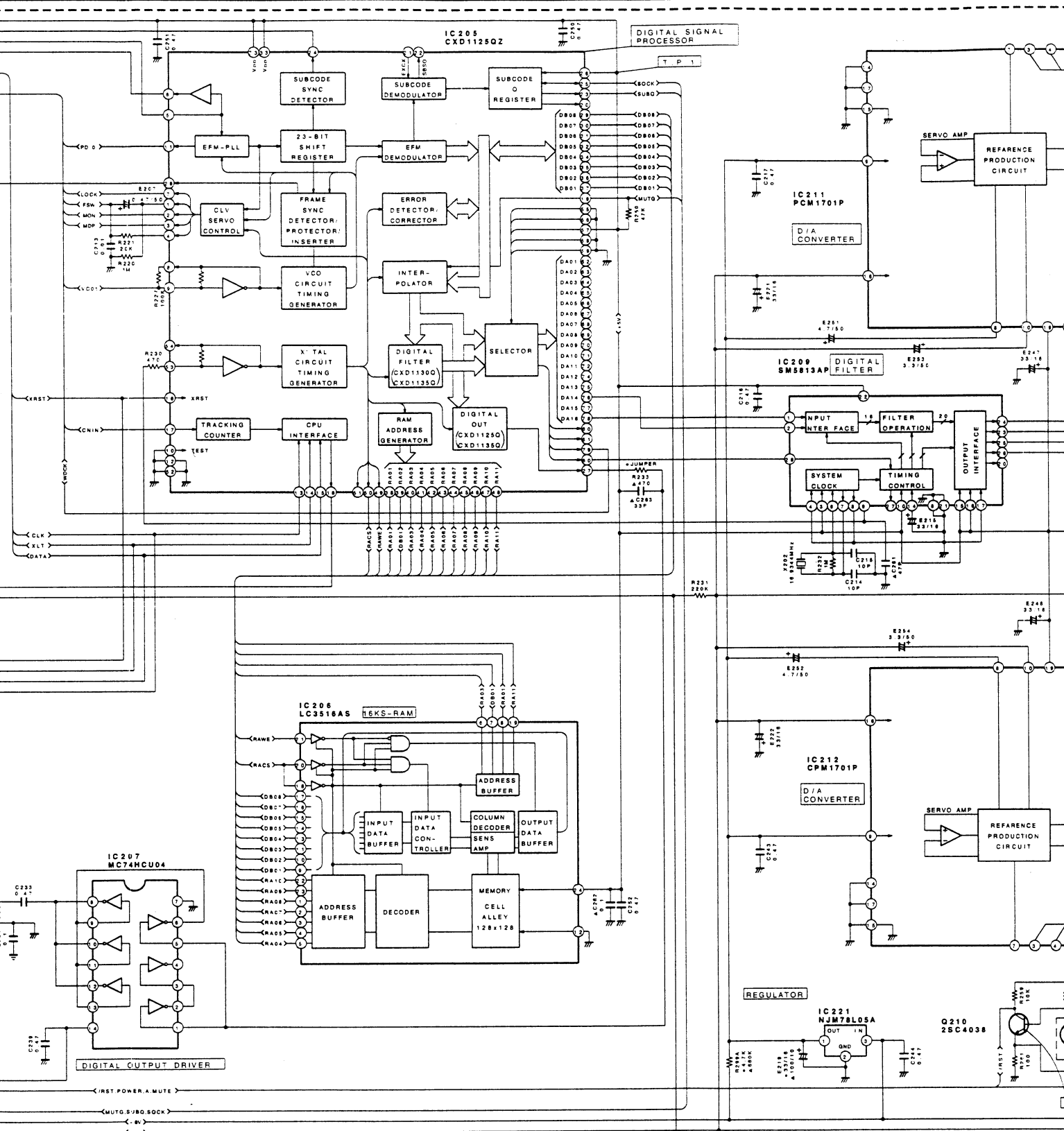


D-103U

Schematic Diagram (2/2)







Q210

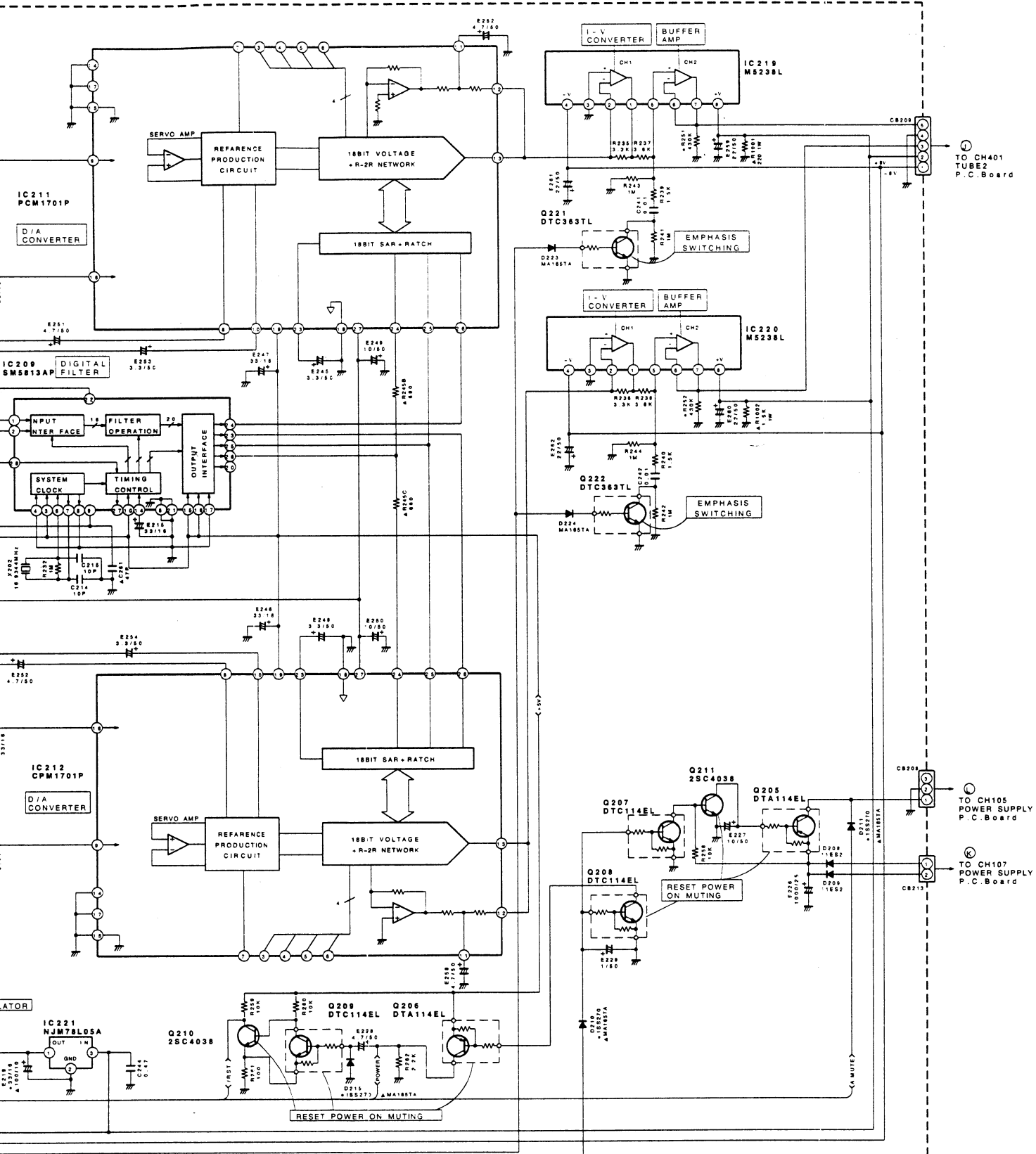
Q209

Q206

Q221
Q222
Q207
Q208

Q211

Q205



TO CH401
TUBE2
P.C. Board

TO CH105
POWER SUPPLY
P.C. Board

TO CH107
POWER SUPPLY
P.C. Board